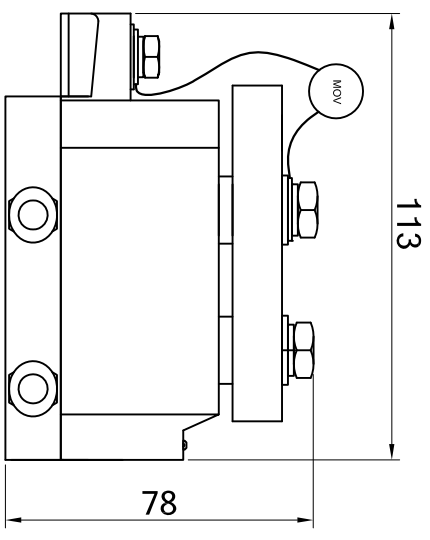
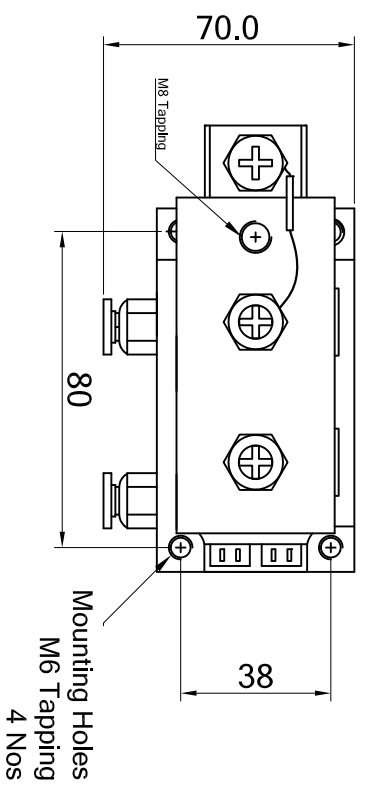
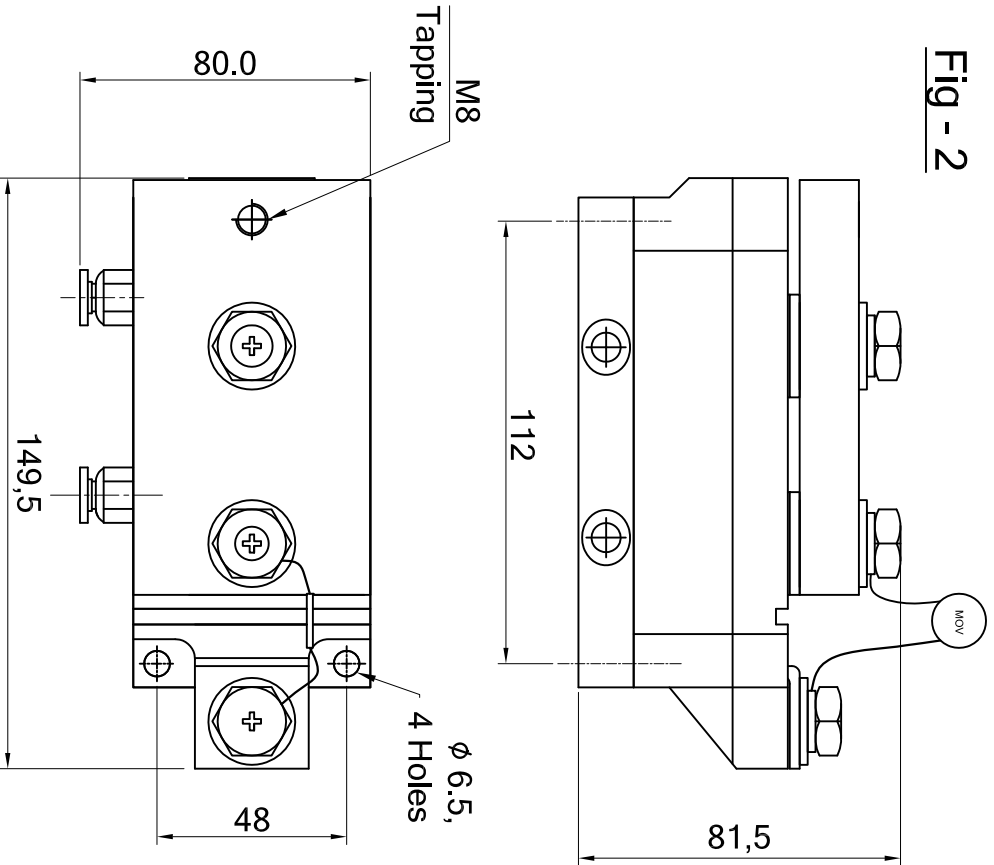


**Fig - 1**



**Fig - 2**



**Isolated Water Cooled Module Assemblies**

Sr.No.	Module Type	IRMS / T WATER		TsM Sine wave 10 ms (KA)	Dimension are mm
		VDRM / VDRM (V)	(A / °C)		
1	W1CI - 550 - 16	1600 V	550/40	5.6	Fig 1
2	W1CI - 850 - 16	1600 V	850/40	9.0	Fig 1
3	W1CI - 1200 - 16	1600 V	1200/40	12.5	Fig 2

Ref.					
Remarks	Name	Date	Drawn.	Checked.	Appro.
		27/05/15	MJP	PDS	GDS

**RUTTONSHA INTERNATIONAL RECTIFIER LTD.**  
 BASKA 389-350  
 RUTTONSHA INTERNATIONAL

Scale :-	Unit :-	Projection :-
NTS	mm	1 st

**GENERAL ASSEMBLY FOR WATER COOLED MODULE ASSEMBLY**

Title:-  
 Matl:-  
 Finish:-  
 Drg. No.:- 0515 - ASSY - W1CI

Rev. 00

