

ISOLATED WATER COOLED MODULE ASSEMBLIES

Fig - 1

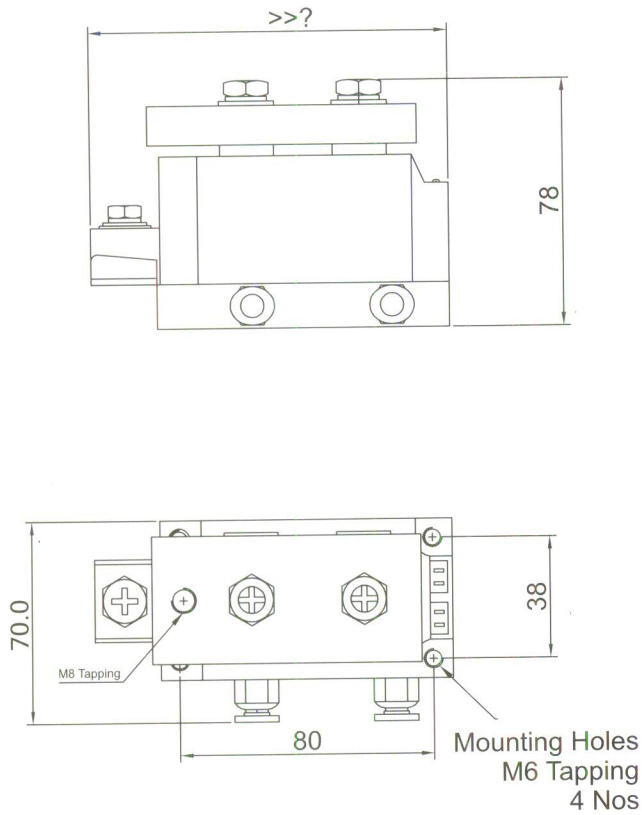
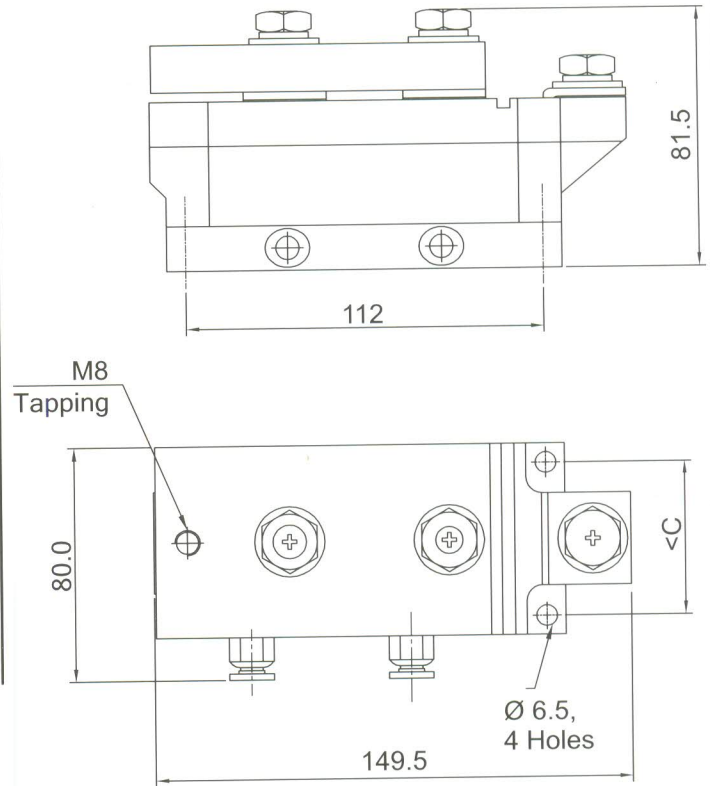


Fig - 2



Isolated Water Cooled Module Assemblies

Sr. No.	Module Type	V_{DRM} / V_{DRM}	I_{RMS} / T_{WATER}	I_{TSM} Sine wave 10 ms	Dimension are mm
		(V)	(A/°C)	(kA)	
1	W1CI - 550 - 16	1600 V	550/ 40	5.6	Fig 1
2	W1CI - 850 - 16	1600 V	850/ 40	9.0	Fig 1
3	W1CI - 1200 - 16	1600 V	1200/ 40	12.5	Fig 2