



Description

SERIES : RITU 160

- * Robust plastic case with screw terminal
- * large, isolated base plate
- * Blocking Voltage to 1800V
- * High surge currents
- * Easy Chassis mounting

Typical Applications

- * Three Phase rectifiers for power supplies
- * Input rectifiers for variable frequency drives
- * Rectifier for DC motor field supplies
- * Battery charger rectifiers

Symbol	Conditions	RITU160
I_D	$T_{Case} = 100^\circ C$	160 A
I_{FSM}	$T_{vj} = 25^\circ C, 10ms$	1600 A
I^2t	$T_{vj} = 25^\circ C, 8,3...10ms$	12800 A ² s
V_F	$T_{vj} = 25^\circ C, I_T = 300 A Peak$	1.65 V
$V_{(TO)}$	$T_{vj} = 150^\circ C$	0.85 V
r_t	$T_{vj} = 150^\circ C$	3 mΩ
I_{RD}	$T_{vj} = 150^\circ C; V_{RD} = V_{RRM}$	2 mA
R_{thjc}	Total	0.11° C/W
R_{thch}	total	0.05 °C/W
T_{vj}		-40... +150° C
T_{stg}		-40... +125° C
V_{isol}	A.C. 50...60Hz; r.m.s. ; 1min	2500 V
M_1	case to heat sink	} SI units / US units
M_2	Bus bar to terminals	
w	Approximate Weight	160 gm.

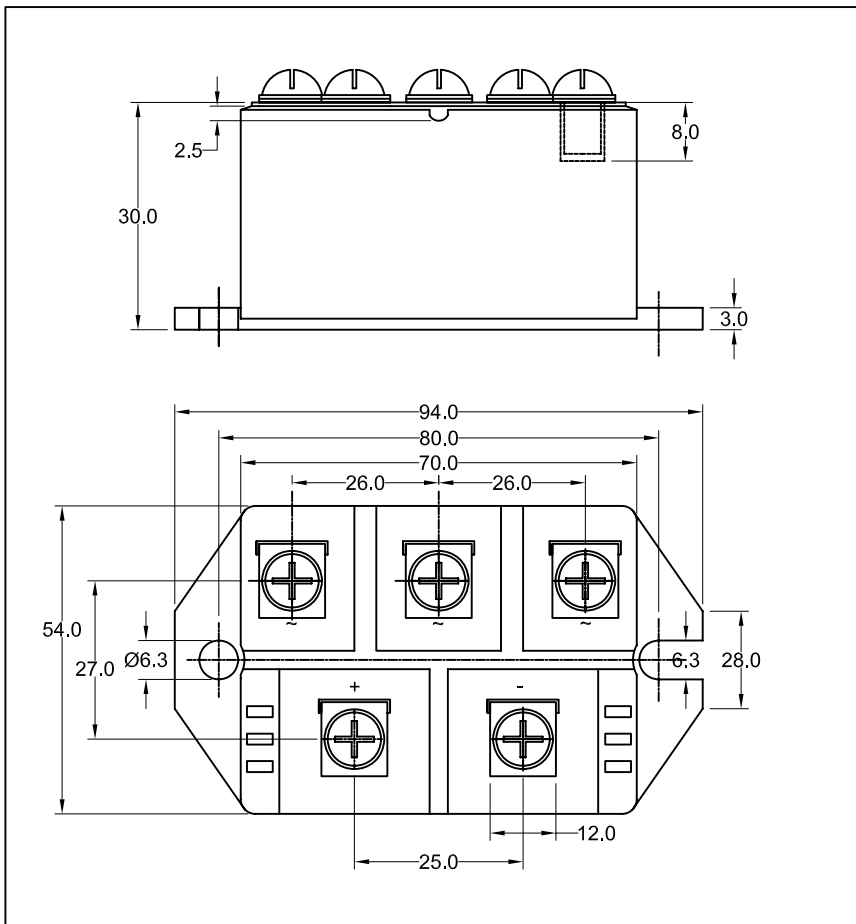
THREE PHASE DIODE MODULES

SERES : RITU 160

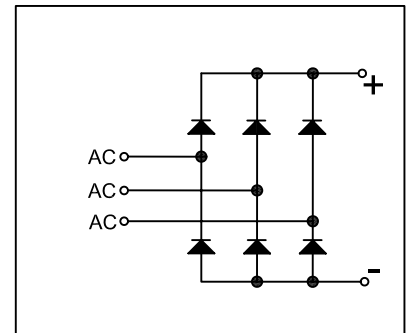
VOLTAGE & APPLICATION DATA

TYPE NUMBER			04	06	08	10	12	14	16	18
V_{RRM}	Maximum repetitive peak reverse voltage	V	400	600	800	1000	1200	1400	1600	1800
V_{RSM}	Maximum non-repetitive peak reverse voltage	V	500	700	900	1100	1300	1500	1700	1900
V_{RMS}	Recommended AC supply voltage	V	160	240	320	400	480	560	640	720
I_{RM}	Maximum peak reverse current per diode $T_J = T_{J \text{ max}}$	mA	2	2	2	2	2	2	2	2

Case Outline Diagram and Dimensions



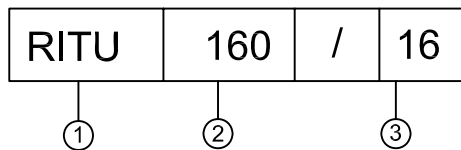
Circuit Diagram



THREE PHASE DIODE MODULES

SERES : RITU 160

ORDER INFORMATION TABLE



- ① Essential Part Number
- ② Current Code
- ③ Voltage Rating (See table)