



Description

SERIES: RIBU 52 & RIBU 72

- * Robust plastic case with screw terminal
- * large, isolated base plate
- * Blocking Voltage to 1800V
- * High surge currents
- * Easy Chassis mounting

Typical Applications

- * Single & Three Phase rectifiers for power supplies
- * Input rectifiers for variable frequency drives
- * Rectifier for DC motor field supplies
- * Battery charger rectifiers

Symbol	Conditions	RIBU 52	RIBU 72
I_D		50A	70A
T_{case}		99°C	101°C
I_{FSM}	$T_{vj} = 25^\circ\text{C}, 10\text{ms}$	500A	750A
	$T_{vj} = 150^\circ\text{C}, 10\text{ms}$	425A	640A
I^2t	$T_{vj} = 25^\circ\text{C}, 8,3...10\text{ms}$	1250A ² s	2800A ² s
	$T_{vj} = 150^\circ\text{C}, 8,3...10\text{ms}$	900A ² s	2000A ² s
V_F	$T_{vj} = 25^\circ\text{C}, I_F = 150\text{A}$	1.8V	1.6V
$V_{(TO)}$	$T_{vj} = 150^\circ\text{C}$	0.85V	0.85V
r_t	$T_{vj} = 150^\circ\text{C}$	8mΩ	5mΩ
I_{RD}	$T_{vj} = 25/150^\circ\text{C}; V_{RD} = V_{RRM}$	0,5/ 5mA	0,5/ 6mA
R_{thjc}	Per Diode total RIBU 52 / RIBU 72	1.5° C/W	1.1° C/W
R_{thch}	total	0.07 °C/W	
T_{vj}		-40... +150° C	
T_{stg}		-40... +150° C	
V_{isol}	A.C. 50...60Hz; r.m.s. ; 1min	2500V	
M_1	case to heat sink	5 Nm / 44lb. in. ± 15 %	
M_2	Bus bar to terminals	5 Nm / 44lb. in. ± 15 %	
w		165g.	

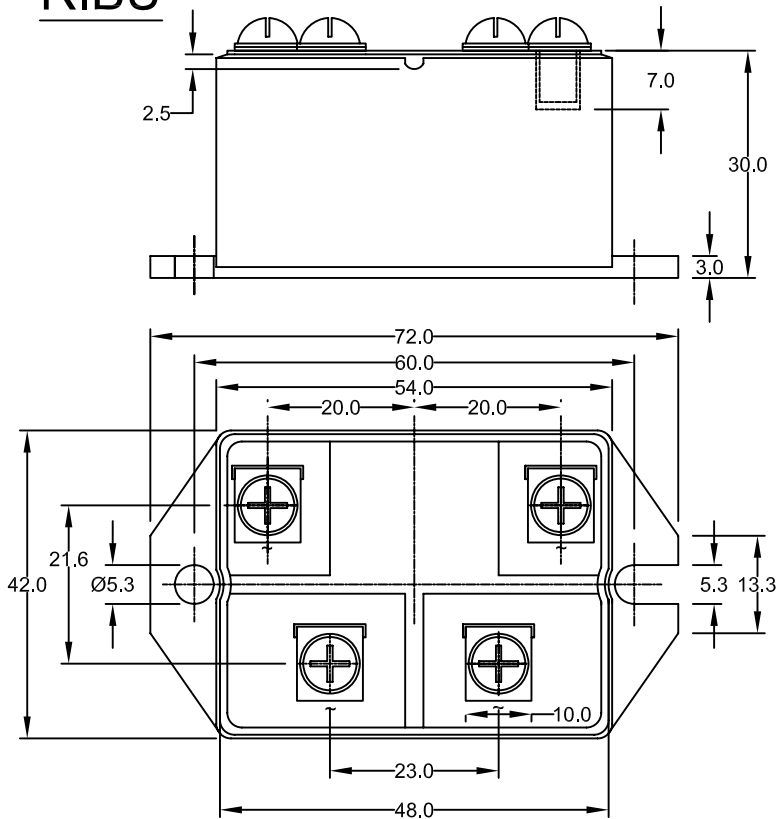
SINGLE PHASE DIODE MODULES

SERIES: RIBU 52 & RIBU 72

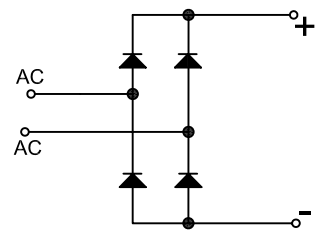
VOLTAGE & APPLICATION DATA

TYPE NUMBER			04	06	08	10	12	14	16	18
V_{RRM}	Maximum repetitive peak reverse voltage	V	400	600	800	1000	1200	1400	1600	1800
V_{RSM}	Maximum non-repetitive peak reverse voltage	V	500	700	900	1100	1300	1500	1700	1900
V_{RMS}	Recommended AC supply voltage	V	160	240	320	400	480	560	640	720
I_{RM}	Maximum peak reverse current per diode $T_J = T_{J \text{ max}}$	mA	5	5	5	5	5	5	5	5

RIBU



SERIES RIBU CIRCUITS



SINGLE PHASE DIODE MODULES

SERIES: RIBU 52 & RIBU 72

ORDER INFORMATION TABLE

RIBU	52/72	/	16
①	②		③

- ① Essential Part Number
- ② Curren Code
- ③ Voltage Rating (See table)