

SILICON RECTIFIERS

200 Ampere Silicon Power Diodes

FEATURES

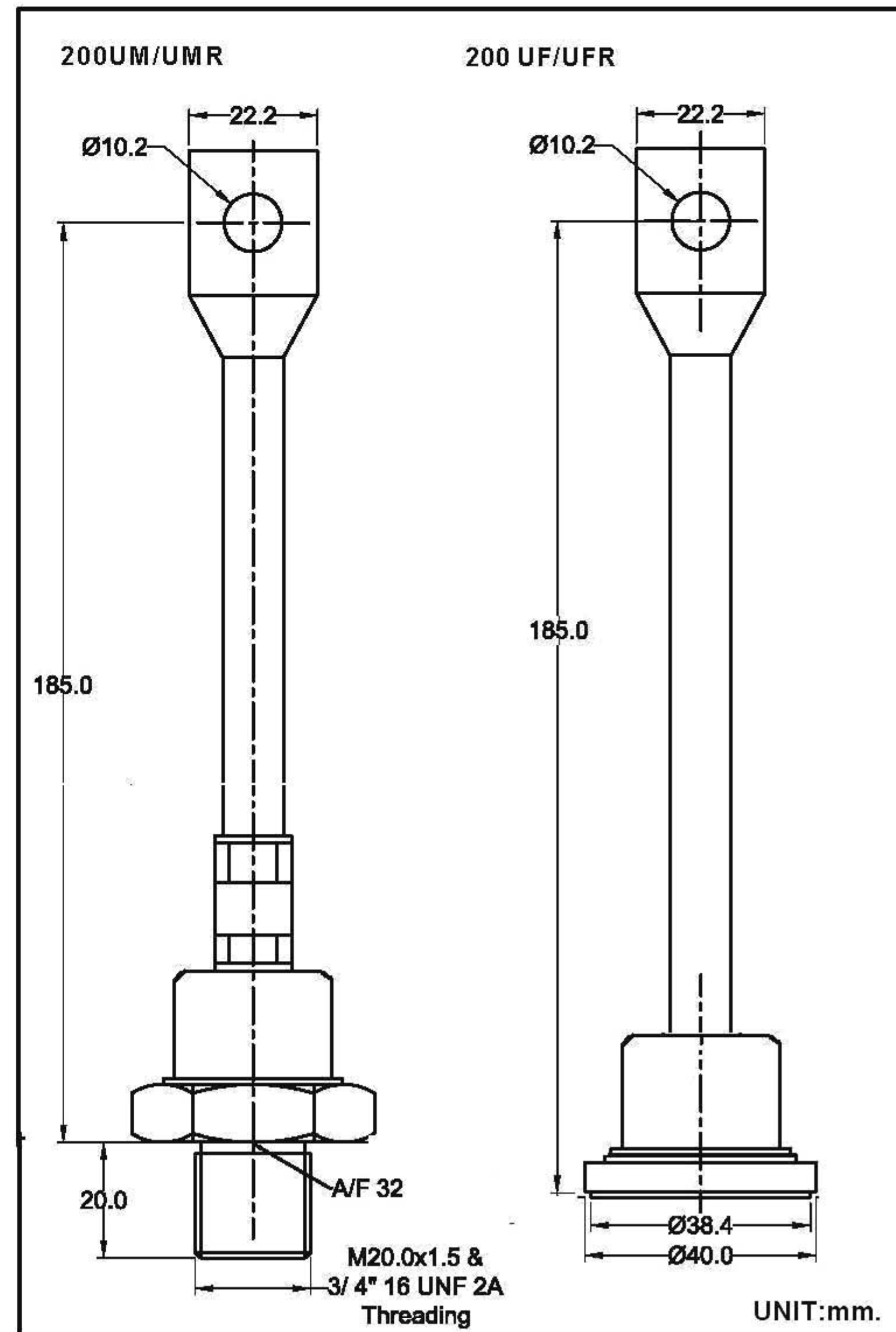
- ❖ All diffused series.
- ❖ Available in normal & reverse polarity.
- ❖ Device conforms to IS 3700 (III) & IS 4400 (III).
- ❖ High surge capability.
- ❖ Also available without external cables.
- ❖ Device outline (200 UM/UMR) conforms to IS 5000 (Do. 9).

ELECTRICAL SPECIFICATIONS

$I_{F(AV)}$	Maximum average forward current $T_c = 130^\circ\text{C}$	200 A
V_{FM}	Maximum peak forward voltage drop @ Rated $I_{F(PEAK)}$	1.35 V
I_{FSM}	Maximum peak one cycle (non-rep.) surge current 10 msec.	4300 A
I_{FRM}	Maximum repetitive peak forward current	1100 A
I^2t	Max. I^2t rating (non-rep.) for 5 to 10 msec.	92450 A ² Sec
$V_{F(TO)}$	Max, value of threshold voltage	0.85V
r_f	Max, value of forward slop resistance	0.85 m Ω

THERMAL MECHANICAL SPECIFICATIONS

θ_{J-C}	Maximum thermal resistance junction to case	0.2 ^o C/W
θ_{C-H}	Contact thermal resistance	200UM/UMR: 0.08 ^o C/W 200UF/UFR: 0.05 ^o C/W
T_J	Operating junction temp.	-65 ^o C to 175 ^o C
T_{stg}	Storage temperature	-65 ^o C to 175 ^o C
	Mounting torque (Non-lubricated threads)	3.2 M-Kg min. 3.75 M-Kg max.
W	Approx. weight	260 gms.



TYPE NUMBER	200 UF/UFR 200UM/UMR	40	60	80	100	120	140	160
V_{RRM}	Max. repetitive peak reverse voltage (V)	400	600	800	1000	1200	1400	1600
V_{RSM}	Max. non-repetitive peak reverse voltage (V)	500	700	900	1100	1300	1500	1700
$V_{R(RMS)}$	Max. R.M.S. reverse voltage (V)	280	420	560	700	840	980	1120
V_R	Max. D.C. Blocking voltage (V)	400	600	800	1000	1200	1400	1600
	Recommended R.M.S. working voltage (V)	160	240	320	400	480	560	640
I_{RM}	Max. Average reverse leakage current @ V_{RRM}, T_c (mA)	20	20	20	20	20	20	20

SILICON RECTIFIERS

ORDER INFORMATION TABLE

200 U	M/F	R	40
--------------	------------	----------	-----------

① ② ③ ④

- ① - 200 L - Essential Part no.
- ② - None - Stud with 3/4" 16UNF-2A Threading
M - Stud with M20 x 1.5P Metric Threading
F - Round flat base
- ③ - None - Normal polarity
R - Reverse polarity
- ④ - Voltage Rating (See table)

SILICON RECTIFIERS

200 UML/UMLR

