



# Ruttonsha International Rectifier Ltd.

## THREE PHASE DIODE MODULES

### Description

### SERIES: RITU 62 & RITU 82

- \* Robust plastic case with screw terminal
- \* large, isolated base plate
- \* Blocking Voltage to 1800V
- \* High surge currents
- \* Easy Chassis mounting

### Typical Applications

- \* Single & Three Phase rectifiers for power supplies
- \* Input rectifiers for variable frequency drives
- \* Rectifier for DC motor field supplies
- \* Battery charger rectifiers

Symbol	Conditions	RITU 62	RITU 82
I <sub>D</sub>	T <sub>Case</sub> = 110° C ; resistive/inductive load	60A	80A
I <sub>FSM</sub>	T <sub>vj</sub> = 25°C, 10ms	500A	750A
	T <sub>vj</sub> = 150°C, 10ms	425A	640A
I <sup>2</sup> t	T <sub>vj</sub> = 25°C, 8,3...10ms	1250A <sup>2</sup> s	2800A <sup>2</sup> s
	T <sub>vj</sub> = 150°C, 8,3...10ms	900A <sup>2</sup> s	2000A <sup>2</sup> s
V <sub>F</sub>	T <sub>vj</sub> = 25°C, I <sub>F</sub> = 150A	1.8V	1.6V
V <sub>(TO)</sub>	T <sub>vj</sub> = 150°C	0.85V	0.85V
r <sub>t</sub>	T <sub>vj</sub> = 150°C	8mΩ	5mΩ
I <sub>RD</sub>	T <sub>vj</sub> = 25/ 150° C; V <sub>RD</sub> = V <sub>RRM</sub>	0,5/ 5mA	0,5/ 6mA
R <sub>thjc</sub>	Per Diode total RITU 62 / RITU 82	1.5° C/W 0.25 °C/W	1.1° C/W 0.183 °C/W
R <sub>thch</sub>	total	0.07 °C/W	
T <sub>vj</sub>		-40... +150° C	
T <sub>stg</sub>		-40... +150° C	
V <sub>isol</sub>	A.C. 50...60Hz; r.m.s. ; 1min	2500V	
M <sub>1</sub>	case to heat sink	5 Nm / 44lb. in. ± 15 %	
M <sub>2</sub>	Bus bar to terminals	5 Nm / 44lb. in. ± 15 %	
w		165g.	

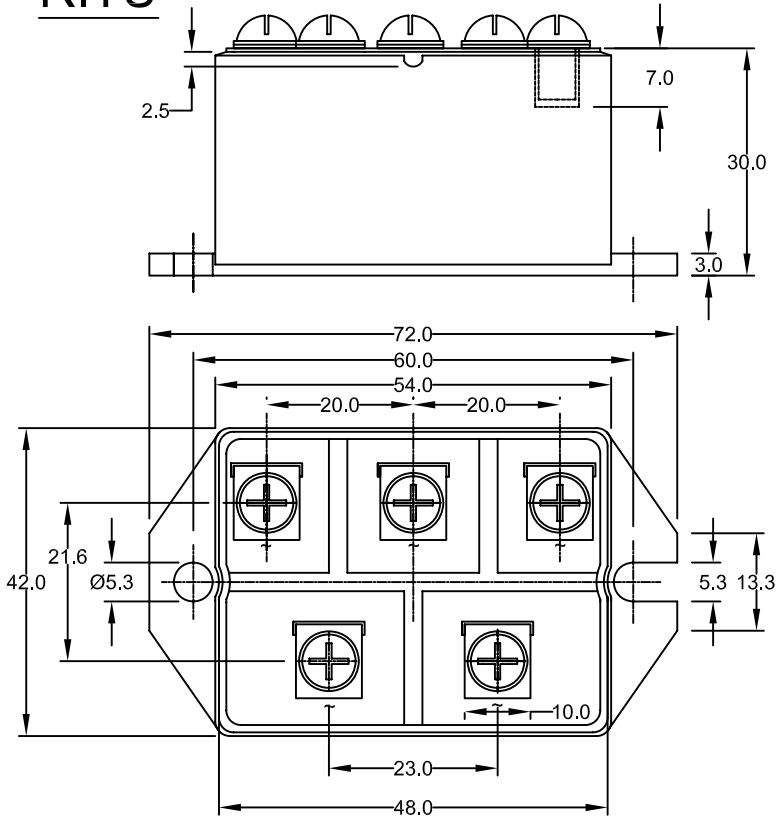
# THREE PHASE DIODE MODULES

## SERIES: RITU 62 & RITU 82

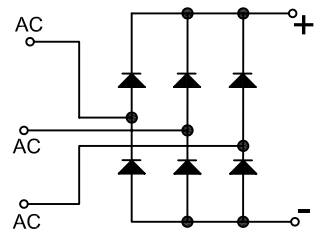
### VOLTAGE & APPLICATION DATA

TYPE NUMBER			04	06	08	10	12	14	16	18
$V_{RRM}$	Maximum repetitive peak reverse voltage	V	400	600	800	1000	1200	1400	1600	1800
$V_{RSM}$	Maximum non-repetitive peak reverse voltage	V	500	700	900	1100	1300	1500	1700	1900
$V_{RMS}$	Recommended AC supply voltage	V	160	240	320	400	480	560	640	720
$I_{RM}$	Maximum peak reverse current per diode $T_J = T_{J\ max}$	mA	5	5	5	5	5	5	5	5

### RITU



### SERIES RITU CIRCUITS



# THREE PHASE DIODE MODULES

---

## SERIES: RITU 62 & RITU 82

### ORDER INFORMATION TABLE

RITU	62/82	/	16
①	②		③

- ① Essential Part Number
- ② Curren Code
- ③ Voltage Rating (See table)